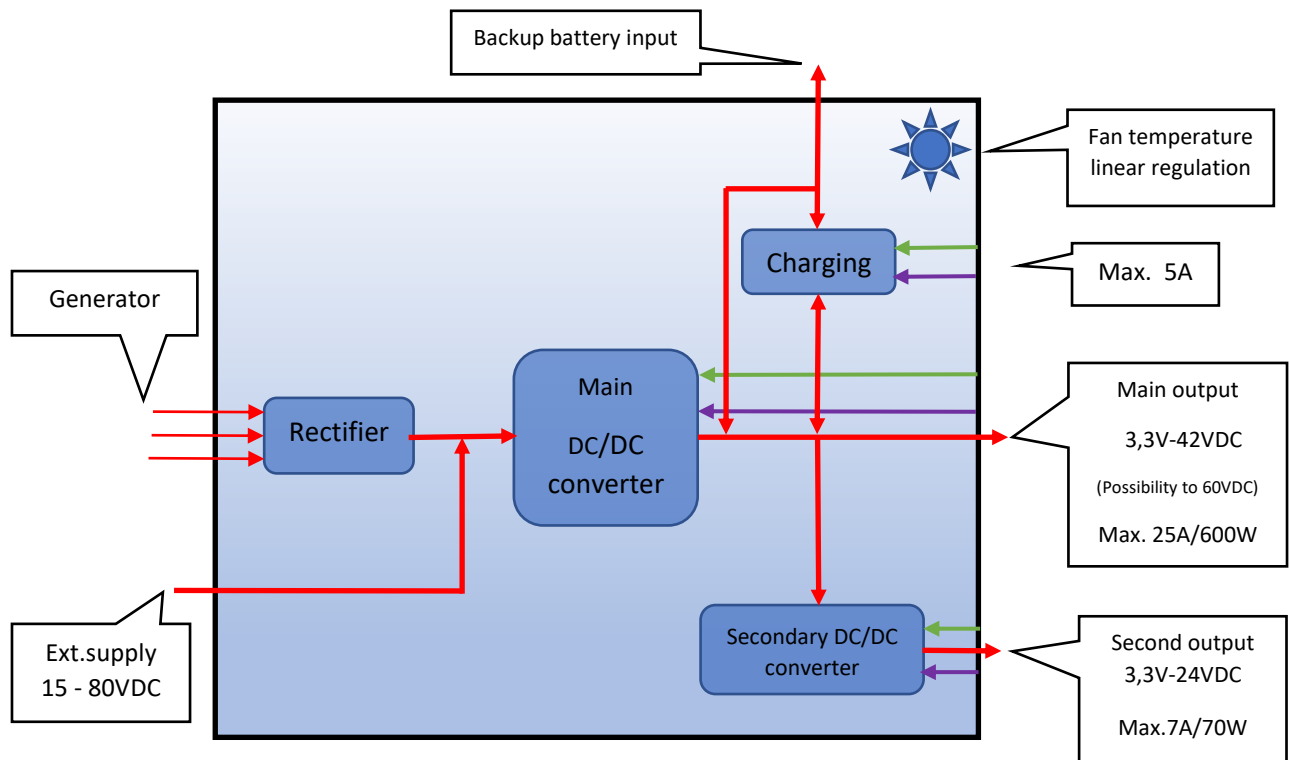


# FH-REG-01-1

Number of Main  
DC/DC converter

Number of secondary  
converters



- ← - **Option** – possibility trimable output ( Yes/ No )
- ← - **Option** – stop DC/DC converter – ( Yes / No )

**Regulator size 01 can includes max. 3 pcs of DC/DC converters :**

**FH-REG-01-0** – regulator with one Main DC/DC converter

**FH-REG-01-1** – regulator with two DC/DC convertes :

- Main output and battery charging
- OR**
- Main output and secondary output

**FH-REG-01-2** – regulator with 3 DC/DC converters :

- Main output, battery charging and secondary output
- OR**
- Main output and two secondary output

**Regulator size :**

- **FH-REG-01-0** and **FH-REG-01-01** - 111 x 57,5 x 49mm
- **FH-REG-01-2** - 132 x 57,5 x 49mm

## Specification :

- **Generator input** – three phase generator - 15 – 95 VAC
- **External - ground power** – 15 – 80 VDC. Minimum voltage is dependent at voltage on the main output. Minimal voltage about 5 VDC more then main output voltage.
- **Backup battery input** – voltage according to client.

**Condition : battery voltage + 0,5VDC ≤ Main output**

- **Battery charging** – charging voltage and current set by clients` battery, (possibility trimable voltage output)
- **Max. total wattage** – 600W ( more power after consultation)
- **Main Outputs no.1** – 3,3 to 42 VDC (60 VDC), max. 20A(25A-consultation) or 600W,
  - output ripple max. 100mV
  - current limit according to client
  - possibility trimable by client, for example 3-10VDC, 10-20VDC, 20-30VDC)
  - possibility stop main DC converter by external input:
    - converter ON - floating
    - converter OFF – 3 - 15V ( according to client)
- **Secondary Output** – 3,3 to 24 VDC, max. 7A or 70W,
- **Operating temperature** - -40°C to 80°C
- **Connection** – all by wires – the lightest solution
- **Enclosure** – colored aluminium box with electronic fan
- **Dimension** – 111mm x 57,5mm x 49mm, 132mm x 57,5mm x 49mm
- **Weight** – 320 – 370g

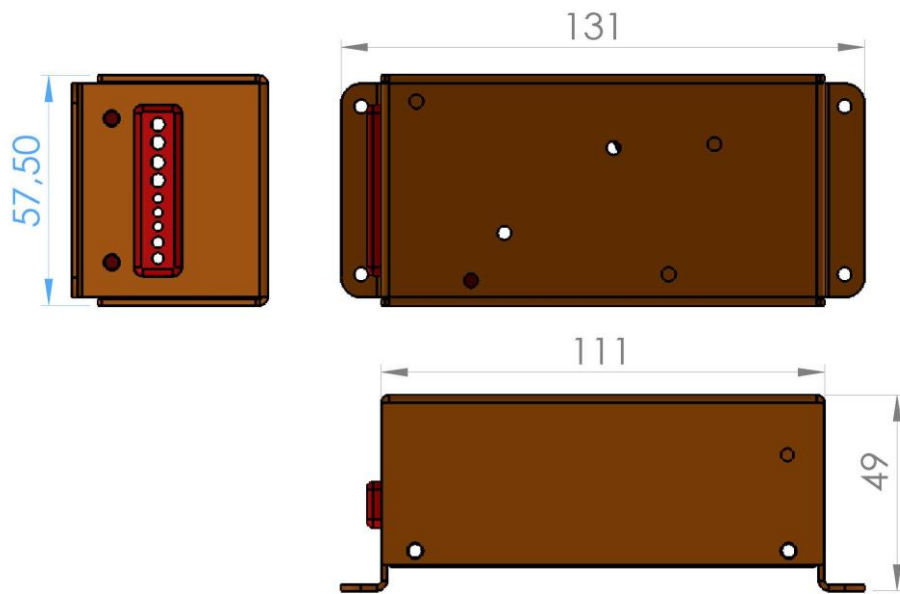
**Client`s specification :**

	Voltage VDC	Current/ power A/W	Trimable output Yes/No range VDC	Current limit A	Stop DC converter control voltage - range VDC
Main output					
Secondary output no.1					
Secondary output no.2					

	Yes/No	Type of battery	Battery capacity mAh	Charging voltage VDC	Charging current A
Backup battery input					
Charging of battery					

**Next Specifications :**

**FH-REG-01-0 and FH-REG-01-1**



**FH-REG-01-2**

