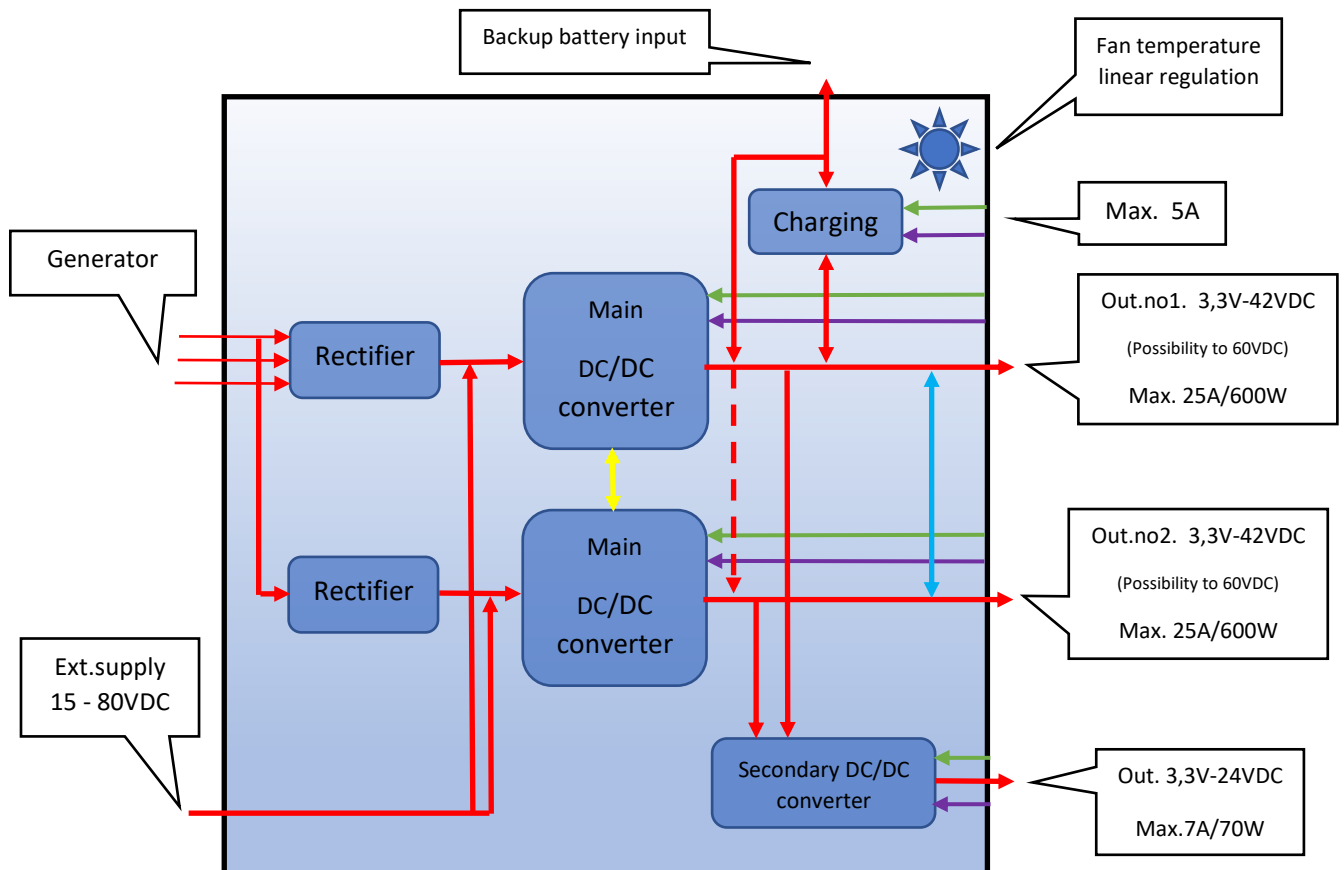







FH-REG-02-2

Number of Main
DC/DC converter

Number of secondary
converters



-  - **Option** – possibility trimable output (Yes/ No)
-  - **Option** – stop DC/DC converter – (Yes / No)
-  - **Option** - Multi- phase synchronization of main DC/DC converters (Yes / No)
-  - **Option** - Parallel connecting of main converters – double power at one output (Yes/ No)
-  - **Option**- connect battery to second converter output (Yes/ No)

Regulator size 02 can includes max. 4 pcs of DC/DC converters :

FH-REG-02-2 – regulator with two Main DC/DC converter

FH-REG-02-3 – regulator with three DC/DC convertes :

- Main output 1, Main output 2, and battery charging
OR
- Main output 1, Main output 2 and secondary output

FH-REG-02-4 – regulator with four DC/DC converters :

- Main output 1, Main output 2, battery charging 1 and 2
OR
- Main output 1, Main output 2, battery charging 1 and secondary output
OR
- Main output 1, Main output 2, secondary output 1 and 2

Specification :

- **Generator input** – three phase generator - 15 – 95 VAC
- **External - ground power** – 15 – 80 VDC. Minimum voltage is dependent at voltage on the main output. Minimal voltage about 5 VDC more then main output voltage.
- **Backup battery input** – voltage according to client.

Condition : battery voltage + 0,5VDC ≤ Main output

- **Battery charging** – charging voltage and current set by clients` battery, (possibility trimable voltage output)
- **Max. total wattage** – 1100W (more power after consultation)
- **Main Outputs no.1 and no.2** – 3,3 to 42 VDC (60 VDC), max. 20A(25A-consultation) or 600W,
 - output ripple max. 100mV
 - current limit according to client
 - possibility trimable by client, for example 3-10VDC, 10-20VDC, 20-30VDC)
 - possibility stop main DC converter by external input:
 - converter ON - floating
 - converter OFF – 3 - 15V (according to client)
 - possibility parallel function of 2pcs main DC/DC converters for double power at one output. For example: 12V/50A – 600W, 28V/39A – 1100W, but max 1100W.
- **Secondary Output** – 3,3 to 24 VDC, max. 7A or 70W,
- **Operating temperature** - -40°C to 80°C
- **Connection** – all by wires – the lightest solution
- **Enclosure** – colored aluminium box with electronic fan
- **Dimension** – 113mm x 110mm x 53mm

Client`s specification :

	Voltage VDC	Current/ power A/W	Trimable output Yes/No range VDC	Current limit A	Stop DC converter control voltage - range VDC
Main output no. 1					
Main output no. 2					
Parallel connection of main outputs			X		
Secondary output no.1					
Secondary output no.2					

	Yes/No	Type of battery	Battery capacity mAh	Charging voltage VDC	Charging current A
Backup battery input no.1					
Backup battery input no.2					
Battery charging no.1					
Battery charging no.2					

Next Specifications :

